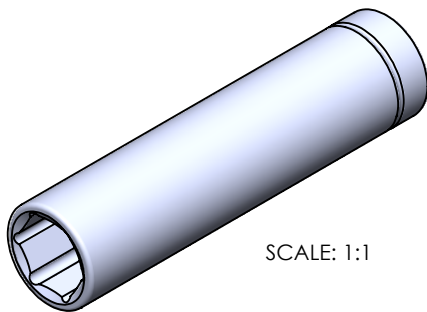
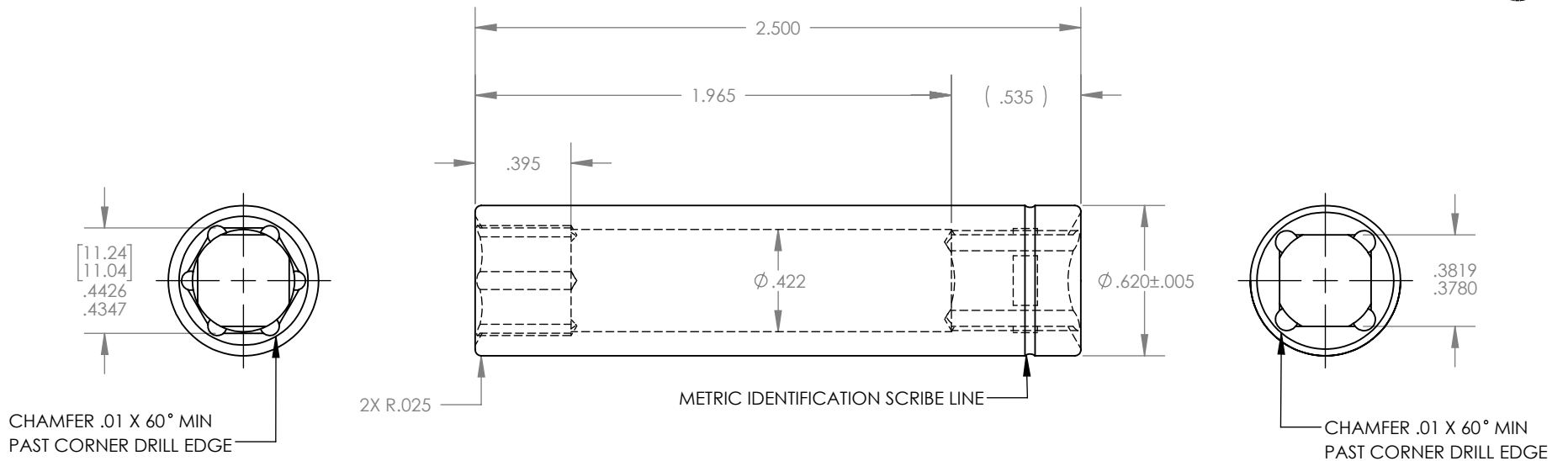


SCALE: 1:1



SCALE: 1:1

UNLESS OTHERWISE SPECIFIED: DIMENSIONS ARE IN INCHES			TOLERANCES: X.XX= ±0.13 X.XXX= ±0.015 X.XXXX= -0.0015		 The Global Source for Stainless Steel Tools
DRAWN	NAME	SIGN	DATE		
APPVD	A.T.		06.25.19		
MATERIAL:			17-4 MAGNETIC S.S.		TITLE:
					11.0MM X 3/8" DRIVE DEEP SOCKET
THIS DRAWING IS THE PROPERTY OF STERITOOL, INC. ANY REPRODUCTIONS OR MODIFICATIONS OF THIS DRAWING OR ITS CONTENTS WITHOUT THE CONSENT OF STERITOOL, INC. IS PROHIBITED.			PART NO.		REV:
			10624		B
			SCALE: 1.5:1		SHEET 1 OF 1